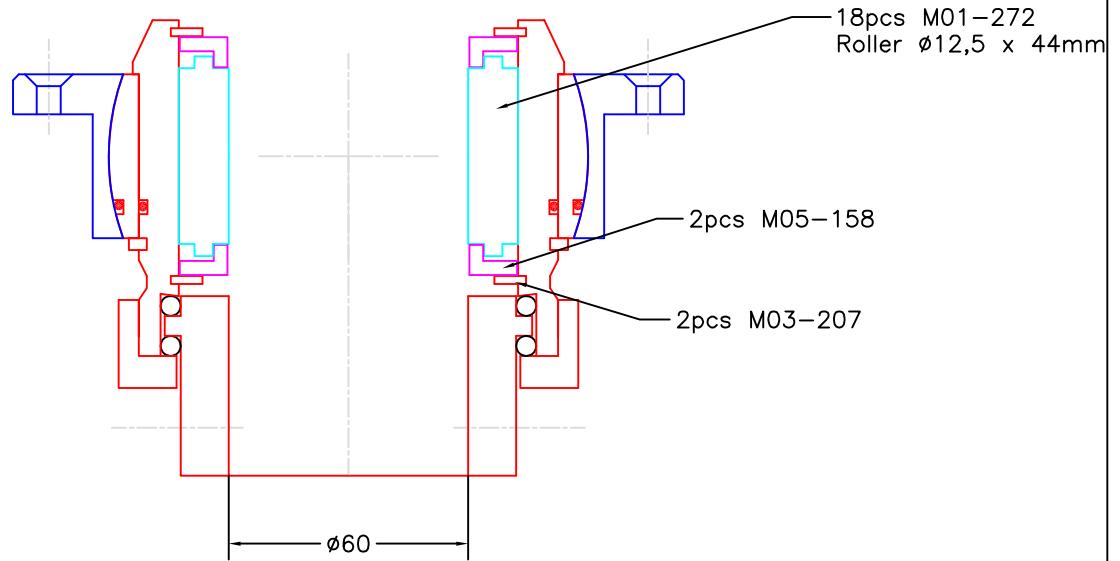
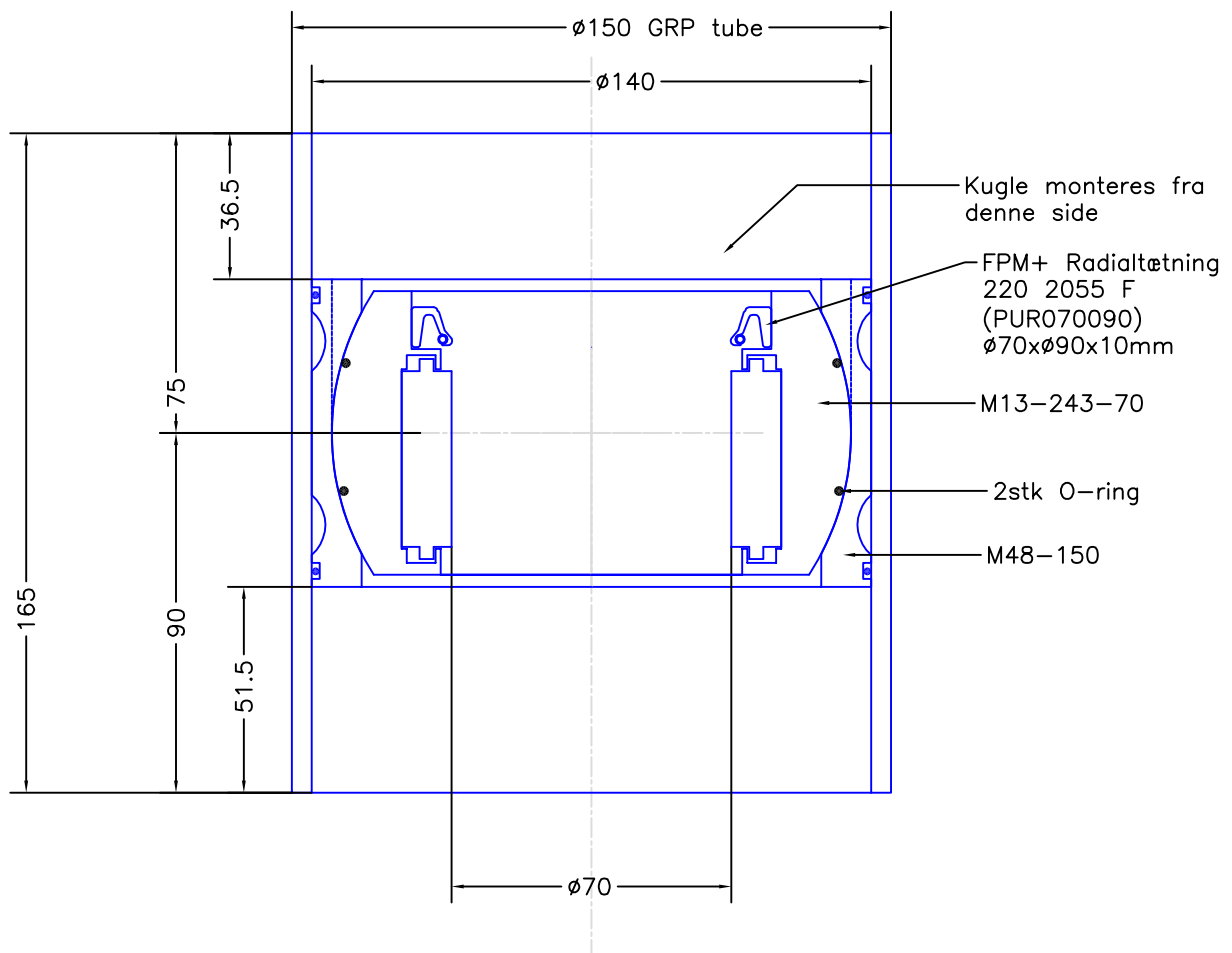


4SF060H



6GBT070-HR



Modify date	Project: GRP 70mm bearing	
Modify date	Hallberg Rassy 37	
Modify date	Scale 1:2	Date 2006-08-23
Modify date	Material GRP-PETP	Drawing no. 6GBT070-HR
Modify date	Filename (dwg) -	
Modify date	Drawn by J.F.	

Jefa Rudder
SYSTEMS

JEFA MARINE A/S
NIMBUSVEJ 2
2670 GREVE, DENMARK
Tlf.+45-4615 5210 & Fax +45-4615 5208
E-mail info@jefa.com & WWW.jefa.com