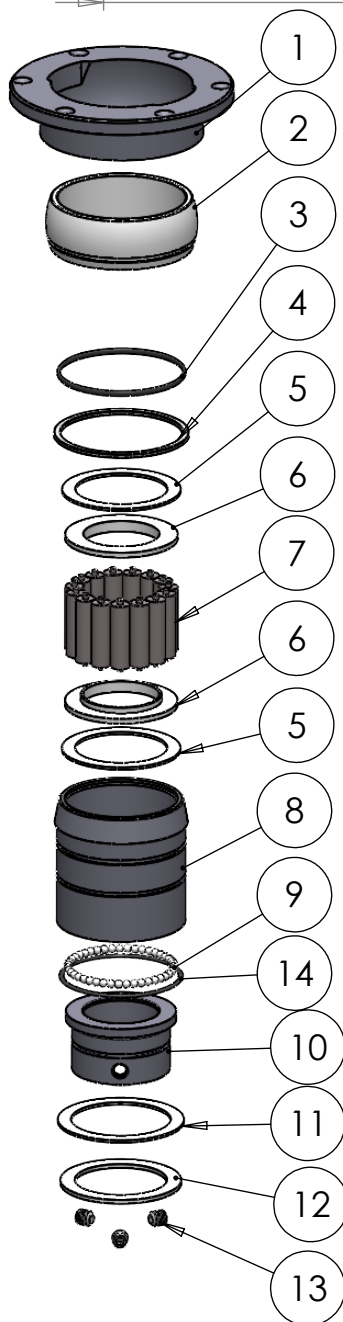


Ø 108

SECTION A-A
SCALE 1 : 2

ITEM NO.	PART NUMBER	PART NAME	QTY.
1	M33-101	Outer house 4SF040-4SF059	1
2	M11-101	Ball 4S040-4SF059	1
3	OR80-25	ø80 x 2,5mm	2
4	M09-101	Alu lockring ø80.5 x ø89.5	1
5	M03-201	Delrin Lockring ø78,5 x ø61 x 1,75mm	2
6	M05-134	L-ring ø50 ø53.5 ø75	2
7	M01-272	Roller ø12.5 x 44mm	15
8	M37-099	Inner house 4S050Z	1
9	M41-510	5mm delrin ball	43
10	M39-050	Hanger ø50	1
11	M03-205	Delrin Lockring ø83,5 x ø66 x 1,75mm	1
12	M03-610	Delrin Lockring ø80 x ø61 x 2,75mm	1
13	DIN916-10x10	Socket set Screw M10x10mm	3
14	OR070-25	O-ring ø70 x 2.5	1

DWG NR / NAME:

4SF050H / S-A top roller bearing with hanger

BATCH NR:

PROJECT:

Shaft ø50mm. Max working load 2500kg

REKV.NR / ORDRE NR:

DATE:

11.01.2012

NAME:

JR

SCALE / PAPER:

1:5 / A4

MATERIAL:

WEIGHT:

g

LOCATION:

REV:

ORDRE DATO:

LEV.DATO:

MODIFY DATE:

: / UPDATED

Jefa Rudder
SYSTEMS

JEFA MARINE A/S
NIMBUSVEJ 2
2670 GREVE, DENMARK

Tlf: +45 4615 5210 & Fax: +45 4615208
Email: info@jefa.com www.jefa.com