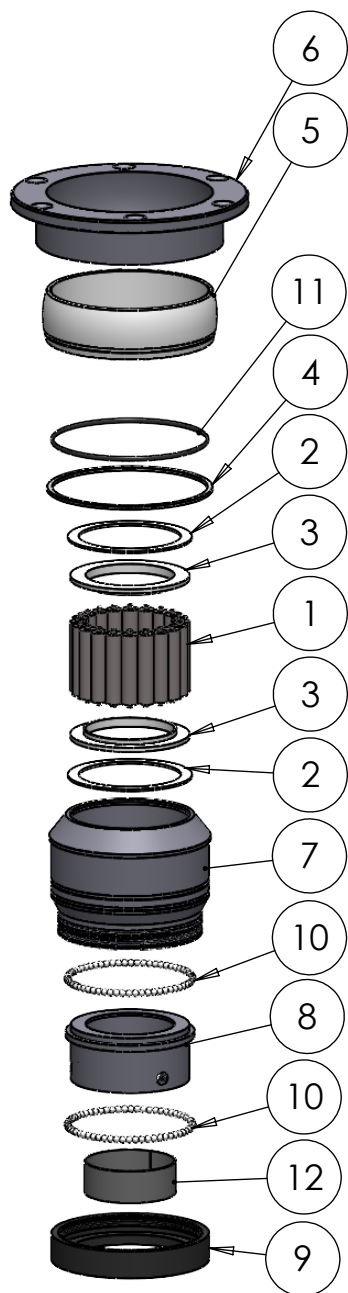
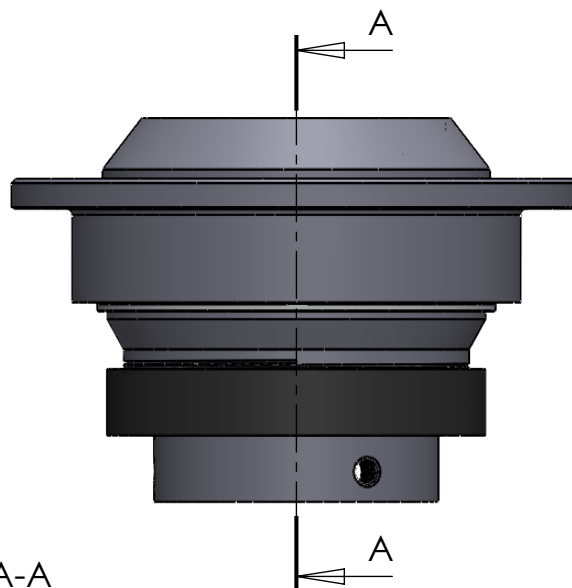


SECTION A-A
SCALE 1 : 2.5



| ITEM NO. | PART NUMBER | PART NAME | QTY. |
|----------|-------------|---|------|
| 1 | M01-372 | Roller $\varnothing 12.5 \times 57\text{mm}$ | 20 |
| 2 | M03-213 | Delrin Lockring $\varnothing 98,5 \times \varnothing 81 \times 1,75\text{mm}$ | 2 |
| 3 | M05-176 | L-ring $\varnothing 70 \varnothing 73.5 \varnothing 95$ | 2 |
| 4 | M09-111 | Alu lockring $\varnothing 122.5 \times \varnothing 131.5$ | 1 |
| 5 | M11-103 | Ball 4S070-4SF099 | 1 |
| 6 | M33-105 | Outer house 4SF060-4SF079 | 1 |
| 7 | M37-105 | Inner house 4S070Z | 1 |
| 8 | M39-105 | Hanger $\varnothing 70$ | 1 |
| 9 | M41-110 | Omløber $\varnothing 70\text{mm}$ | 1 |
| 10 | M41-510 | 5mm delrin ball | 124 |
| 11 | OR110-25 | $\varnothing 110 \times 2.5$ | 1 |
| 12 | PH070 | Plastic innerligner 70 x 1mm plate | 1 |

DWG NR / NAME:

4SF070H / S-A top roller bearing with hanger

PROJECT:

Shaft $\varnothing 70\text{mm}$. Max working load 4900kg

DATE:

11.01.2012

NAME:

JR

SCALE / PAPER:

1:6 / A4

MATERIAL:

WEIGHT:

g

LOCATION:

REV:

BATCH NR:

REKV.NR / ORDRE NR:

ORDRE DATO:

LEV.DATO:

Jefa Rudder
SYSTEMS

JEFA MARINE A/S
NIMBUSVEJ 2
2670 GREVE, DENMARK

Tlf: +45 4615 5210 & Fax: +45 46155208
Email: info@jefa.com www.jefa.com

: / UPDATED