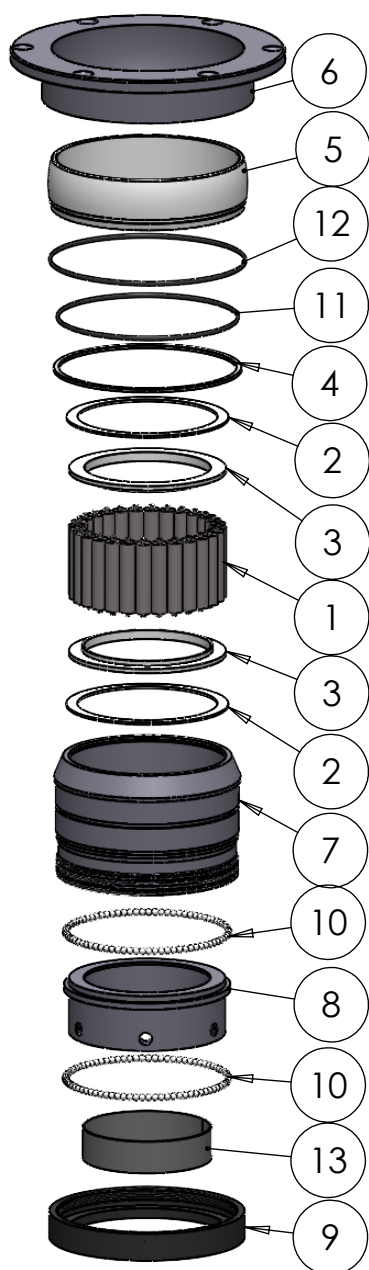
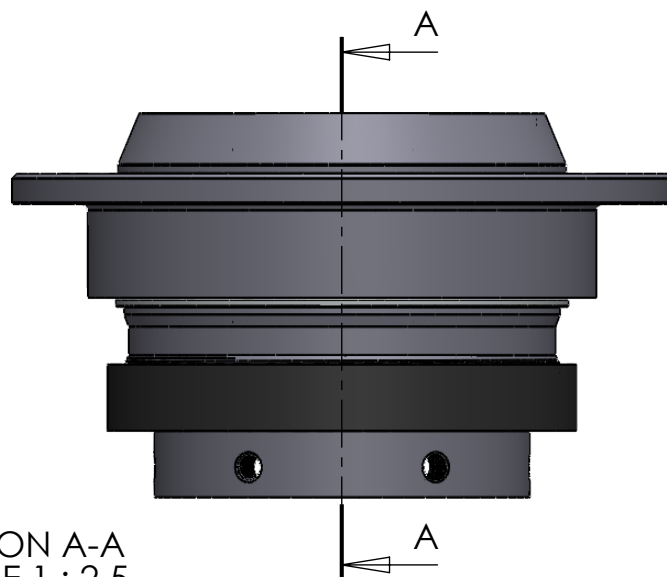


SECTION A-A
SCALE 1 : 2.5



ITEM NO.	PART NUMBER	PART NAME	QTY.
1	M01-372	Roller $\varnothing 12.5 \times 57\text{mm}$	28
2	M03-235	Delrin Lockring $\varnothing 128,5 \times \varnothing 111 \times 1,75\text{mm}$	2
3	M05-245	L-ring $\varnothing 100 \varnothing 103.5 \varnothing 125$	2
4	M09-115	Alu lockring $\varnothing 140.5 \times \varnothing 149.5$	1
5	M11-107	Ball 4S100-4SF119	1
6	M33-115	Outer house 4SF100-4SF119	1
7	M37-115	Inner house 4S100Z	1
8	M39-120	Hanger $\varnothing 100$	1
9	M41-130	Omløber $\varnothing 100\text{mm}$	1
10	M41-510	5mm delrin ball	162
11	OR130-25	$\varnothing 130 \times 2.5$	1
12	OR140-25	$\varnothing 140 \times 2.5\text{mm}$	2
13	PH100	Plastic innerligner 100 x 1mm plate	1

DWG NR / NAME:

4SF100H / S-A top roller bearing with hanger

PROJECT:

Shaft $\varnothing 100\text{mm}$. Max working load 6800kg

DATE:

11.01.2012

NAME:

JR

SCALE / PAPER:

1:5 / A4

MATERIAL:

WEIGHT:

g

LOCATION:

REV:

BATCH NR:

REKV.NR / ORDRE NR:

ORDRE DATO:

LEV.DATO:

Jefa Rudder
SYSTEMS

JEFA MARINE A/S
NIMBUSVEJ 2
2670 GREVE, DENMARK

Tlf: +45 4615 5210 & Fax: +45 4615 5208
Email: info@jefa.com www.jefa.com

MODIFY DATE:

: / UPDATED