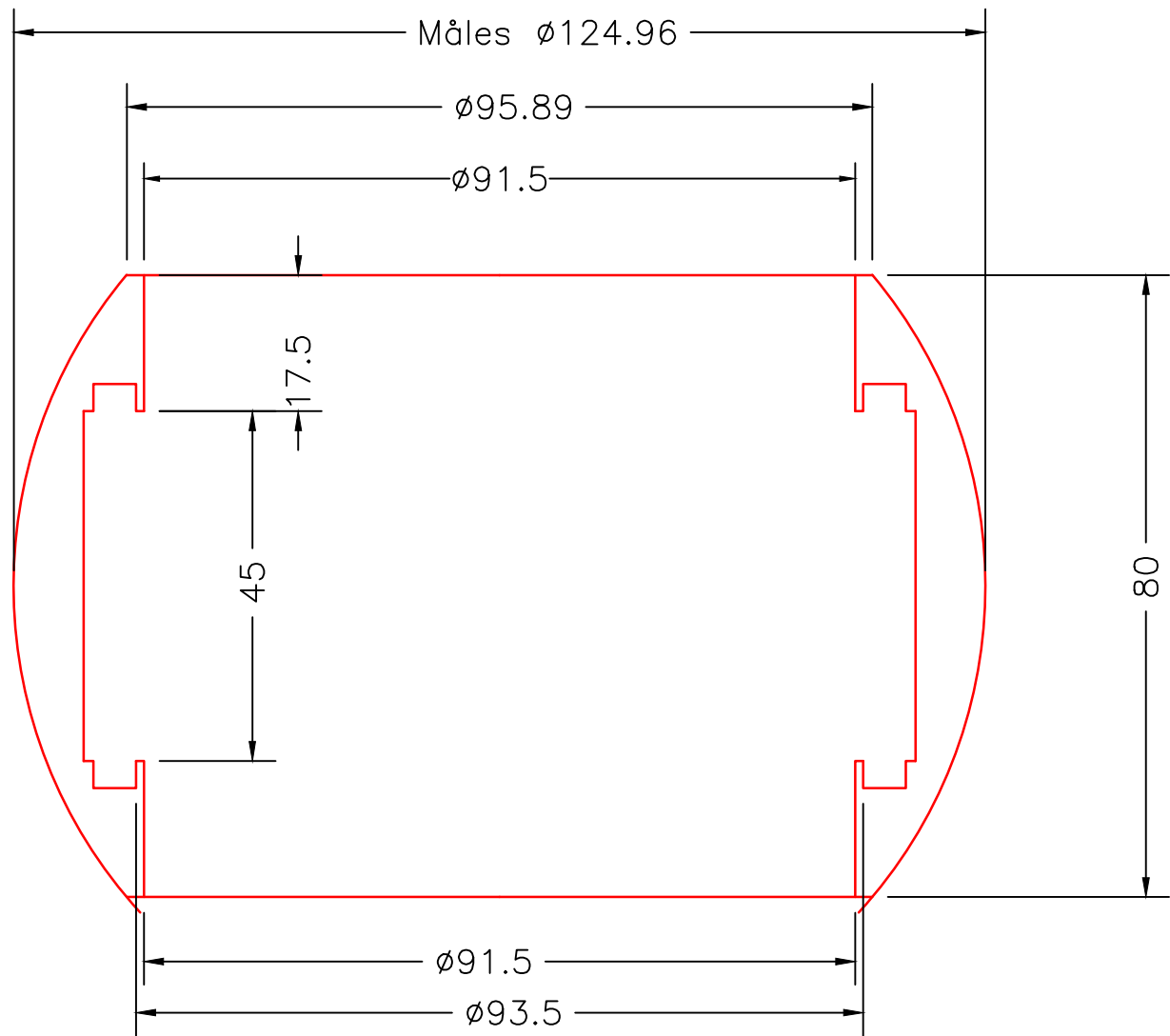


- 89mm bearing = $\varnothing 9 \times 44$ rulle
- 90mm bearing = $\varnothing 8,5 \times 44$ rulle
- 91mm bearing = $\varnothing 8 \times 44$ rulle



Modify date	Project: Ball for 5T & 5BT bearings	
Modify date	$\varnothing 125 \times \varnothing 107 \times \varnothing 91 \text{mm}$	
Modify date	Scale 1:1	Date 2022-04-08
Modify date	Material PETP	Drawing no. M13-235D
Modify date	Filename M13-235D (dwg)	
Modify date	Drawn by J.F.	

Jefa Rudder
 SYSTEMS
 JEFA MARINE A/S
 NIMBUSVEJ 2
 2670 GREVE, DENMARK
 Tlf. +45-46155210
 E-mail info@jefa.dk & WWW.jefa.dk