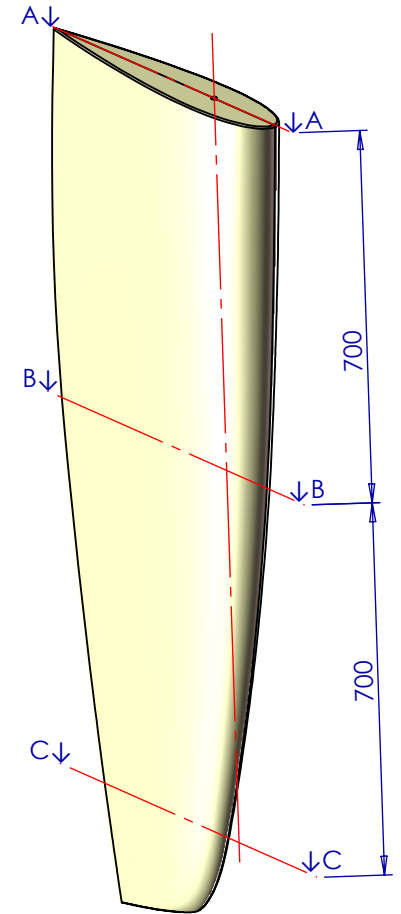
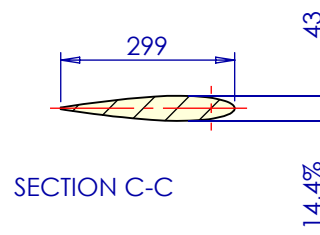
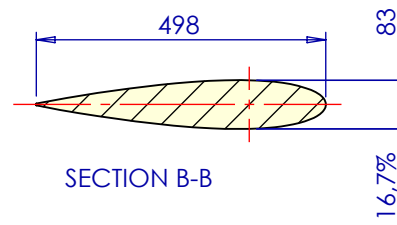
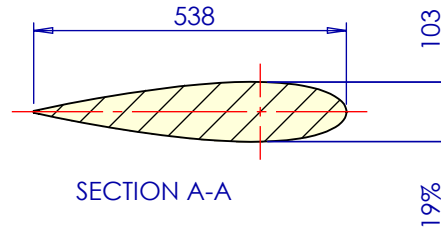
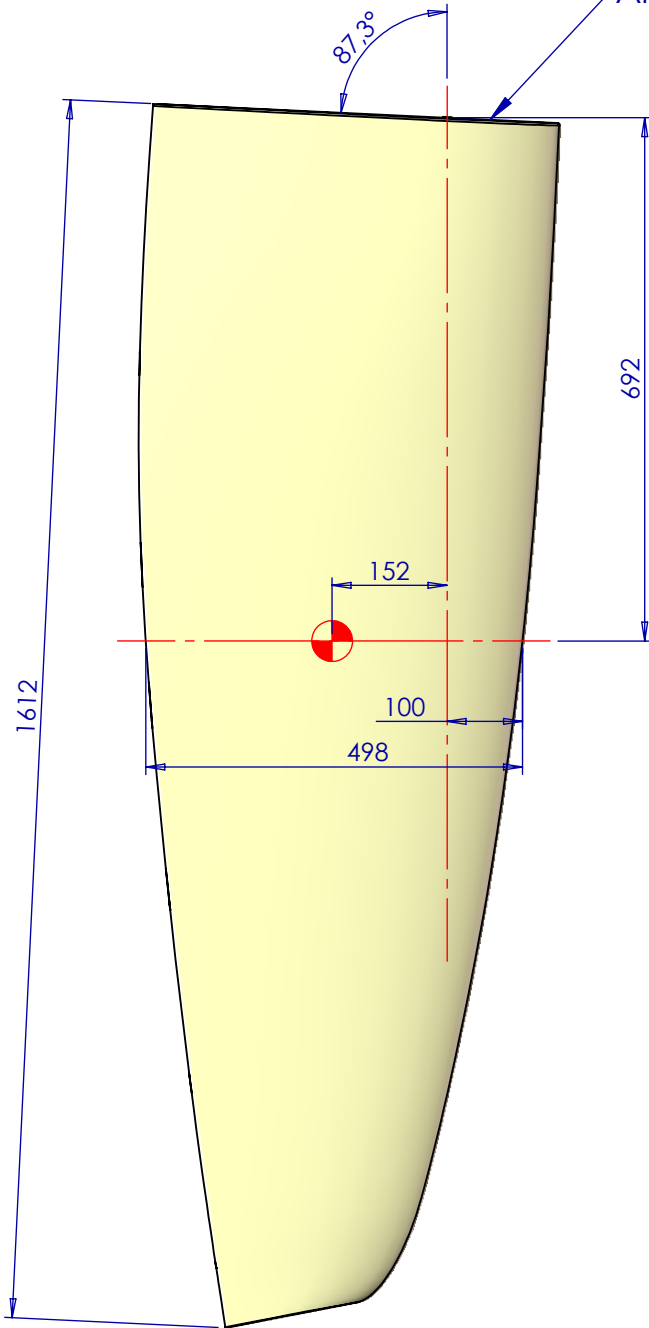


Also available in 90° version



item no: RUD34  
 Area 0,7 m<sup>2</sup>  
 Volume 39,3 dm<sup>3</sup>  
 Balance 16,5%  
 Blade weight: 13kg  
 Max rudderstock Ø88

The blade will be filled with a PU form core.  
 The rudder will be made after ISO12215-8

Drawing/Part no: <b>RUD34</b>		Product Name: <b>Rudderblade RUD34</b>			Sheet: <b>1 of 1</b>	
 JEFA MARINE A/S NIMBUSVEJ 2 2670 GREVE. DENMARK		Possible rudder stock material: Alu6082, Aisi329 or Aisi630			Proj. method: 	
		Part Weight: <b>13 kg</b>	Surface Area: <b>1,5 m<sup>2</sup></b>	Scale: <b>-</b>	Format: <b>A4</b>	CAD-System: SolidWorks
Creation Date: <b>04-09-2017</b>		Dimensions are given in mm. Dimensions without tolerances according to DS/ISO 2768-m.				
Tlf: +45 4615 5210 Email: sales@jefa.com www.jefa.com		Author: <b>TCH</b>		This drawing belongs to Jefa Marine A/S and may not be used or shown without permission.		