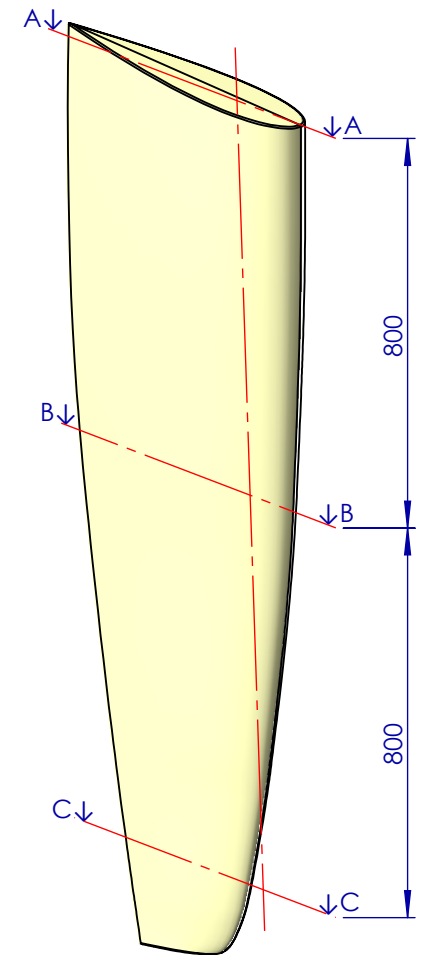
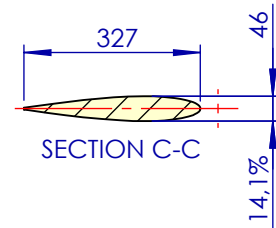
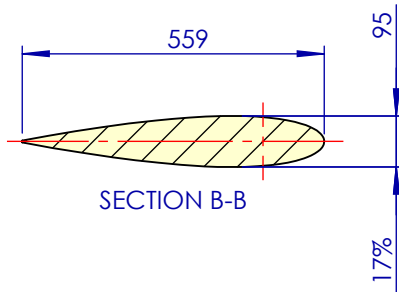
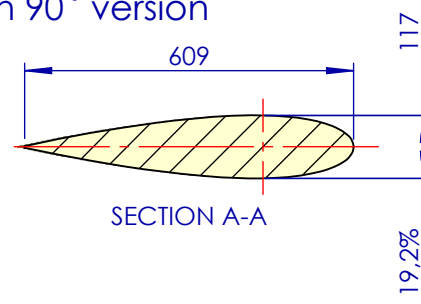

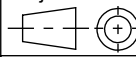


Also available in 90° version



item no: RUD40  
 Area 0,9 m<sup>2</sup>  
 Volume 56,7 dm<sup>3</sup>  
 Balance 16,5%  
 Blade weight: 17kg  
 Max rudderstock  $\varnothing$ 98

The blade will be filled with a PU form core.  
 The rudder will be made after ISO12215-8

Drawing/Part no: <b>RUD40</b>		Product Name: <b>Rudderblade RUD40</b>			Sheet: 1 of 1
 <b>JEFA MARINE A/S</b> <b>NIMBUSVEJ 2</b> <b>2670 GREVE. DENMARK</b>		Possible rudder stock material: Alu6082, Aisi329 or Aisi630			Proj. method: 
		Part Weight: <b>17 kg</b>	Surface Area: <b>1,9 m<sup>2</sup></b>	Scale: -	Format: <b>A4</b>
Creation Date: 17-10-2017		Dimensions are given in mm. Dimensions without tolerances according to DS/ISO 2768-m.			
Tlf: +45 4615 5210 Email: sales@jefa.com www.jefa.com		Author: <b>TCH</b>	This drawing belongs to Jefa Marine A/S and may not be used or shown without permission.		