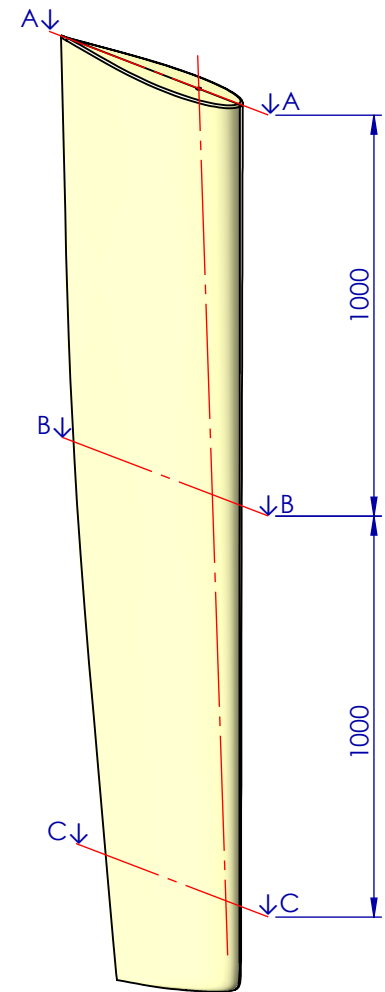

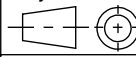


item no: RUD48R
 Area 1,14 m²
 Volume 64,1 dm³
 Balance 16%
 Blade weight: 23kg
 Max rudderstock \varnothing 89

The blade will be filled with a PU form core.
 The rudder will be made after ISO12215-8



Drawing/Part no: RUD48R		Product Name: Rudderblade RUD48R			Sheet: 1 of 1	
 JEFA MARINE A/S NIMBUSVEJ 2 2670 GREVE. DENMARK		Possible rudder stock material: Aisi329 or Aisi630			Proj. method: 	
		Part Weight: 23 kg	Surface Area: 2,4 m²	Scale: -	Format: A4	CAD-System: SolidWorks
Creation Date: 11-09-2017		Dimensions are given in mm. Dimensions without tolerances according to DS/ISO 2768-m.				
Tlf: +45 4615 5210 Email: sales@jefa.com www.jefa.com		Author: TCH	This drawing belongs to Jefa Marine A/S and may not be used or shown without permission.			